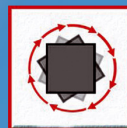
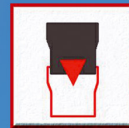
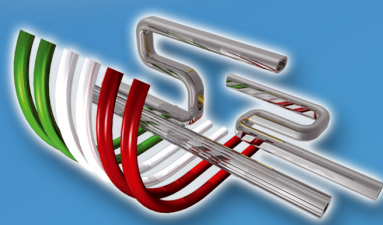


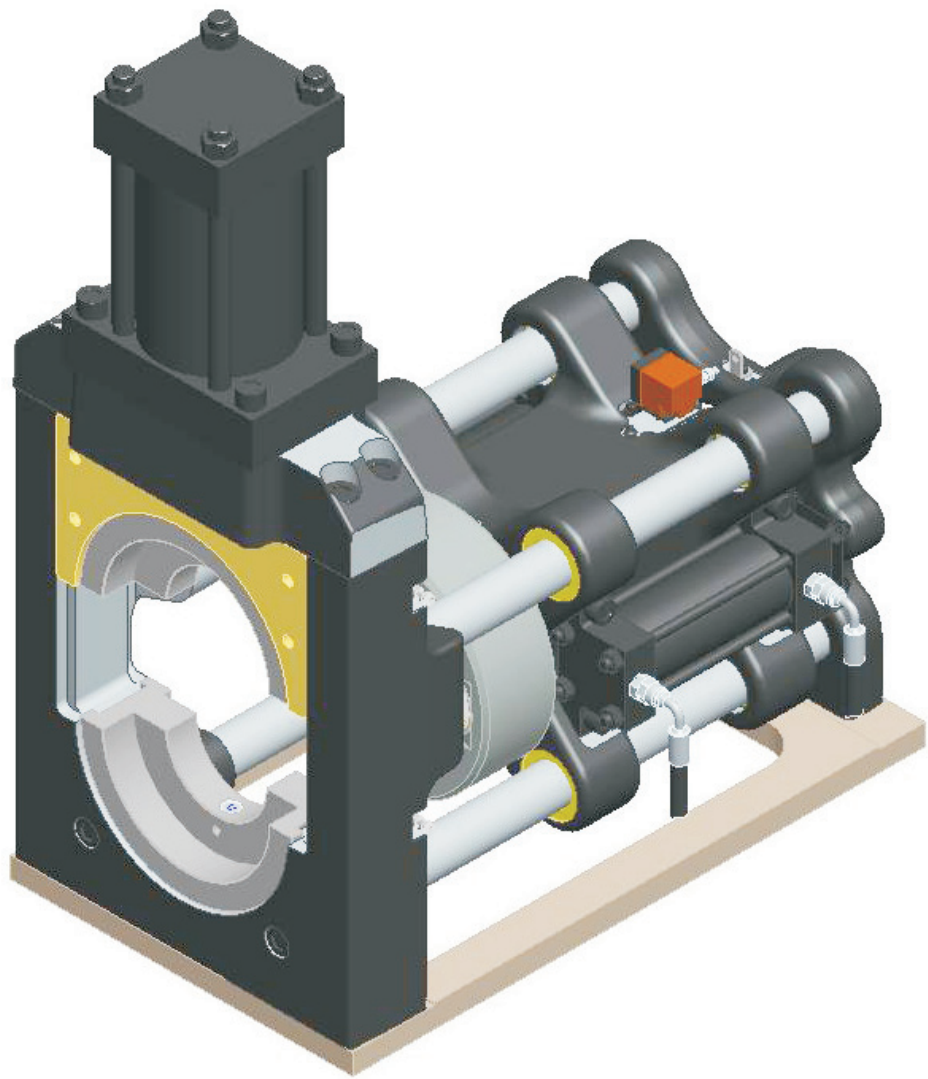
SETTING THE CURVE



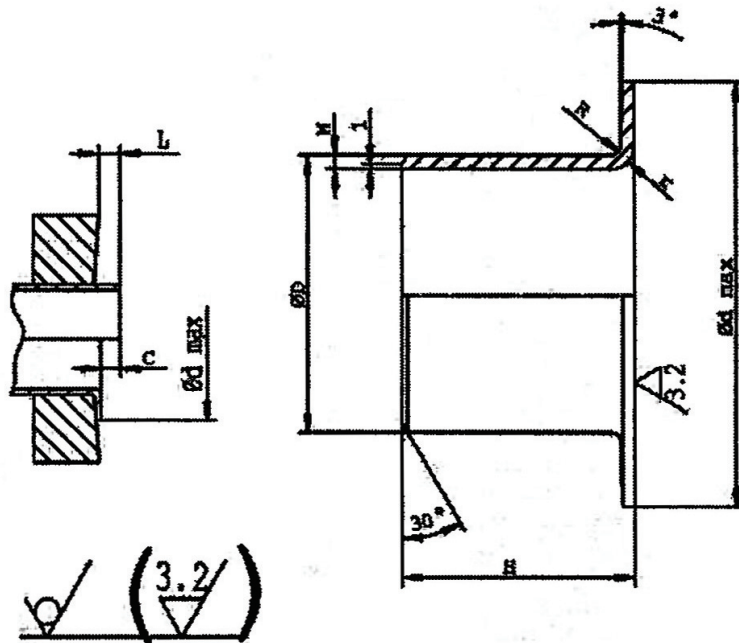
FLANGING/BAVELLING EFB220







KOKO	PN	D	W	R	r	H	C	KATK.PIT.	L	d max
DN40	10,16	48.3	2.6	2.0	4.6	42	13.0	55		73
DN40	25,40	48.3	2.6	2.0	4.6	45	13.0	58		73
DN50	10,16	60.3	2.9	2.0	4.9	45	18.0	63	22	92
DN50	25,40	60.3	2.9	2.0	4.9	48	18.0	66	22	92
DN65	10,16	76.1	2.9	2.0	4.9	45	17.0	62	20	105
DN65	25,40	76.1	2.9	2.0	4.9	52	17.0	69	20	105
DN80	10,16	88.9	3.2	3.0	6.2	50	23.0	73	27	127
DN80	25,40	88.9	3.2	3.0	6.2	58	23.0	81	27	127
DN100	10,16	114.3	3.6	3.0	6.6	52	24.0	76	28	158
DN100	25,40	114.3	3.6	3.0	6.6	65	26.0	91		162
DN125	10,16	139.7	4.0	3.5	7.5	55	25.0	80	32	188
DN125	25	139.7	4.0	3.5	7.5	68	25.0	93	32	188
DN150	10,16	168.3	4.5	3.5	8.0	55	23.0	78		212
DN150	25	168.3	4.5	3.5	8.0	75	26.0	101		218
DN200	10,16	219.1	6.3	3.5	9.8	62	23.0	85	29	268
DN200	25	219.1	6.3	3.5	9.8	80	32.0	112		278
DN250	10	273	6.3	4.5	9.5	68	24.0	92	27	320
DN250	16	273	6.3	4.5	9.5	70	24.0	94	27	320
DN300	10	323.9	7.1	5.5	11.1	68	25.0	93		370
DN300	16	323.9	7.1	5.5	11.1	78	29.0	107	31	378
DN350	10	355.6	8.0	5.5	11.1	68	43.0	111	41	430
DN350	16	355.6	8.0	5.5	11.1	82	47.0	129	46	438
DN400	10	406.4	8.8	5.5	11.8	72	45.0	117		482
DN400	16	406.4	8.8	5.5	11.8	85	49.0	134		490





Prodotto esclusivamente da:



CML INTERNATIONAL S.p.A.

Loc. Annunziata snc
03030 Piedimonte S.Germano (FR) ITALY
Tel (+39) 0776 40281
Fax (+39) 0776 404801
Email info@ercolina.it
Web www.ercolina.com



FILIALI:

CML DEUTSCHLAND GmbH

Grafenbergweg 11
73614 Schorndorf GERMANY
Tel (+49) - 0 - 7181 87266
Fax (+49) - 0 - 7181 87298
Email info@cml-deutschland.de
Web www.ercolina.com

CML USA Inc.

3100 Research Parkway
Davenport, Iowa 52806 USA
Tel (+1) 563 391 7700
Fax (+1) 563 391 7710
Email info@ercolina-usa.com
Web www.ercolina-usa.com

CML KOREA

102-807, Bucheon Technopark 3rd
36-1 Samjeong-dong Ojeong-gu Bucheon
Gyeonggi-do KOREA
Tel (+82) 32 624 1939
Fax (+82) 32 624 1940
Email cmlkorea@naver.com

